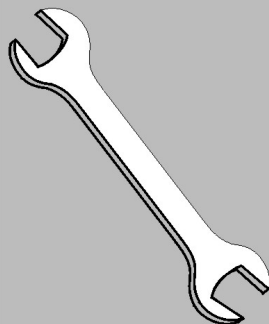


Published Manual Number/ECN: H03 01700/2003333A

- Publishing System: TPAS
- Access date: 08/12/03
- Document ECN's: Latest Available



Kit Instruction— K03 01700



Please Read

About the Manual Identifying Information on the Cover

The front cover displays pertinent identifying information for this manual. Most important, are the published manual number (part number) /ECN (date code). Generally, when a replacement manual is furnished, it will have the same published manual number, but the latest available ECN. This provides the user with the latest information applicable to his machine. Similarly all documents comprising the manual will be the latest available as of the date the manual was printed, **even though older ECN dates for those documents may be listed in the table of contents.**

When communicating with the Milnor factory regarding this manual, please also provide the other identifying information shown on the cover, including the publishing system, access date, and whether the document ECN's are the latest available or exact.

References to Yellow Troubleshooting Pages

This manual may contain references to "yellow pages." Although the pages containing troubleshooting procedures are no longer printed on yellow paper, troubleshooting instructions, if any, will be contained in the easily located "Troubleshooting" chapter or section. See the table of contents.

Trademarks of Pellerin Milnor Corporation

The following, some of which may be used in this manual, are trademarks of Pellerin Milnor Corporation:

Ampsaver [®]	Dye-Extractor [®]	Gear Guardian [®]	Milnet [®]	Staph-Guard [®]
Autolint [®]	Dyextractor [®]	Hands-Off [®]	Milnor [®]	System 4 [®]
Auto-Purge [®]	E-P Express [®]	Hydro-Cushion [®]	Miltrac	System 7 [®]
Autovac	E-P OneTouch [®]	Mildata [®]	Miltron	Totaltrol [®]
CBW [®]	E-P Plus [®]			

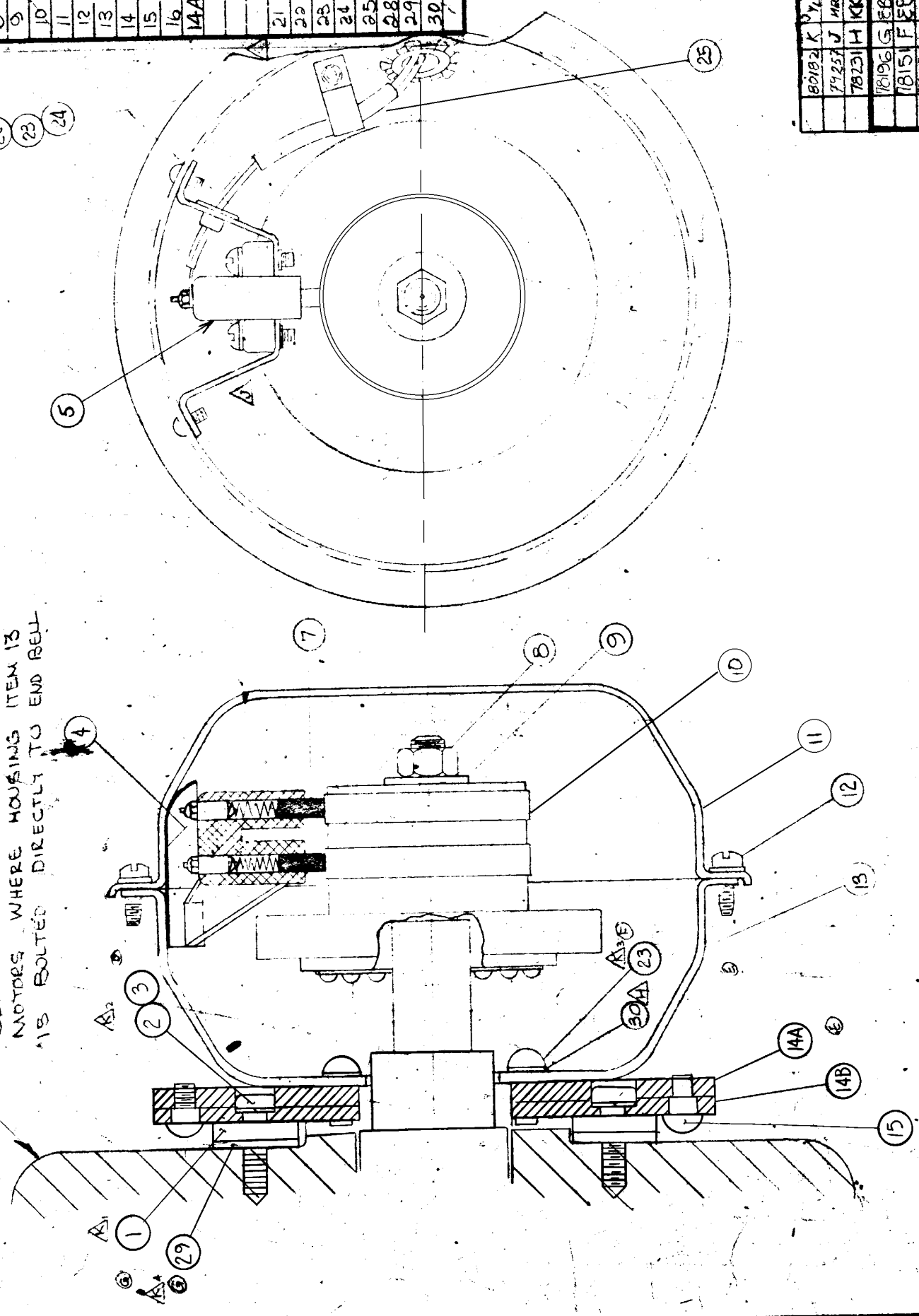
Comments and Suggestions

Help us to improve this manual by sending your comments to:

Pellerin Milnor Corporation
Attn: Technical Publications
P. O. Box 400
Kenner, LA 70063-0400

Fax: (504) 469-1849

MOTOR (RELIANCE)
 SEE AD 03-029 FOR OTHER
 MOTORS WHERE HOUSING ITEM 13
 IS BOLTED DIRECTLY TO END RAIL



ITEM	PART NO.	QTY	REVISION	DATE	BY	CHKD	APP'D	REASON
1	02-02160A	2						
2	15U175	2						
3	15U180	2						
4	02-15581	1						
5	ESC0001	1						
7	02X100	2						
8	15G219	1						
9	15U240	1						
10	SAE03-012	1						
11	02-15582	1						
12	15P011	6						
13	03-01147	1						
14	U3-01294	1						
15	15U120	4						
16	15U150	4						
14A	03-01294A	1						
21	15N056B	1						
22	15G070	1						
23	15U100	1						
24	12P015C	1						
25	GOE005E	333						
28	15P175	4						
29	154245	2						
30	15U185	1						

ITEM	REV	DATE	BY	CHKD	APP'D	REASON
80182	K	9-27-78				REVISED TO 15025
79257	J	10-11-78				WAS 02-02160A
78231	H	11-17-77				STRUCTURE CHANGE
78196	G	10-17-77				ADDED 15U185
78151	F	10-17-77				EX STRUCTURE
78021	E	10-17-77				ADD SAFETY
76790	D	10-17-77				REDESIGN PART
75227	C	9-29-76				FIXER
72827	B	7-29-76				Was 60C26
70251	A	1-28-76				Parts Added
71343	-	2-2-76				Added Note
71103	-	1-20-76				Update Drawing
71103	-	1-20-76				RELEASED

MATERIAL SPECS.
 BUY MAKE MAKE FROM STOCK NO.
 WT/PART PARTS
 PELLERIN MINOR CORPORATION
 P.O. Box 398, Kenner, Louisiana 70062 U.S.A.
 A. SUZUKI OF NEW ORLEANS
 REACTION 3-105
 SCALE: 1:1
 610-051000
 603-045000

CENTSWITCH=MOTOR MT

MOTOR MOUNT SMALL